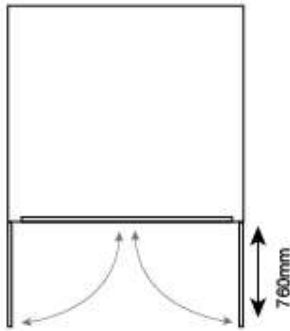
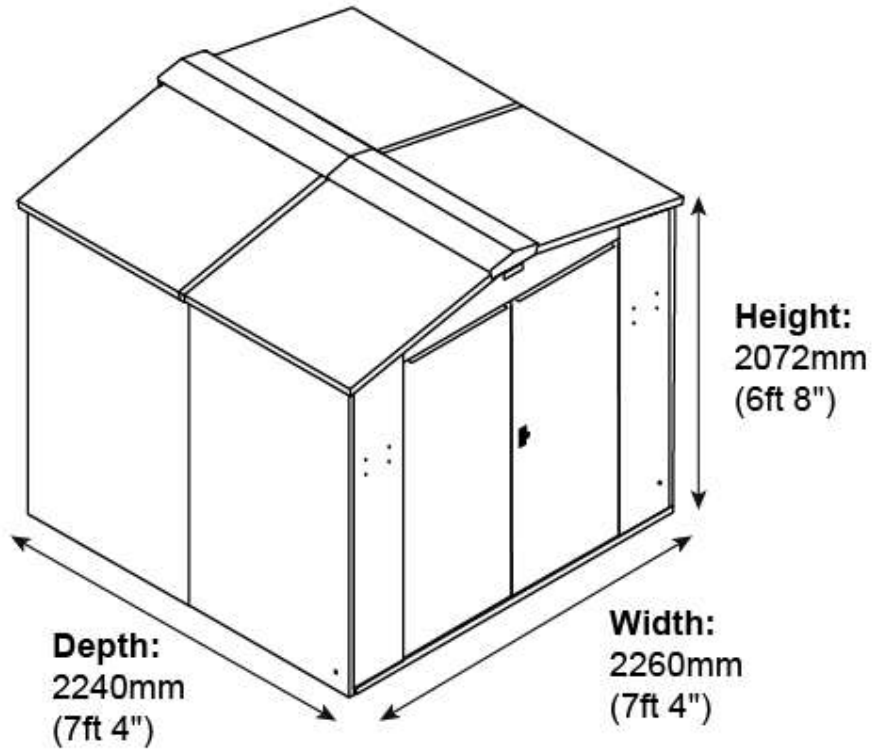


**SCHOOL STORAGE PACK 3
GLADIATOR (HIGH SECURITY) PLAYGROUND STORAGE
EXTERNAL MEASUREMENTS**

Weight:
327kg (51.7 stone)
Door Aperture:
1690mm (5ft 6") x
1420mm (4ft 7")



Door Clearance
760mm (2ft 6")



Depth:
2240mm
(7ft 4")

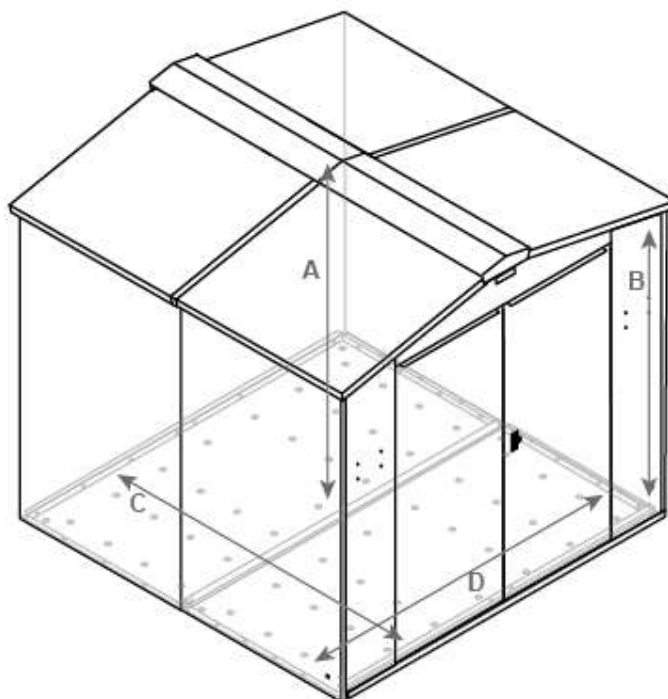
Width:
2260mm
(7ft 4")

Height:
2072mm
(6ft 8")

**SCHOOL STORAGE PACK 3
GLADIATOR (HIGH SECURITY) PLAYGROUND STORAGE
INTERNAL MEASUREMENTS**

**A. Internal Height
(to apex):**
1985mm (6ft 6")
**B. Internal Height
(to eaves):**
1820mm (5ft 11")
C. Internal Depth:
2130mm (6ft 11")
D. Internal Width:
2140mm (7ft 0")

*Please note, if the optional wooden subfloor is selected with this product the internal height measurement will decrease by approximately 50mm

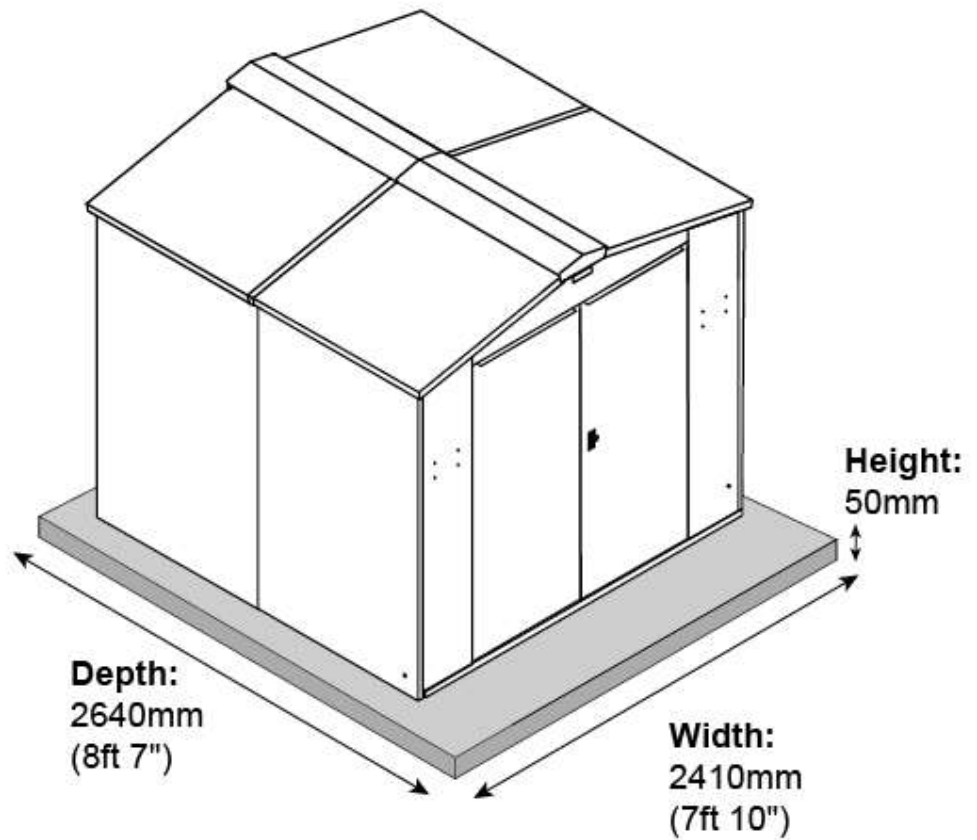


**SCHOOL STORAGE PACK 3
GLADIATOR (HIGH SECURITY) PLAYGROUND STORAGE
RECOMMENDED BASE SIZE**

Base Size:
2410mm (7ft 10") x
2640mm (8ft 7")

Base Depth:
Min. 50mm

Recommended:
Concrete,
Tarmac,
Paving Flags



*ALL MEASUREMENTS ARE APPROXIMATE