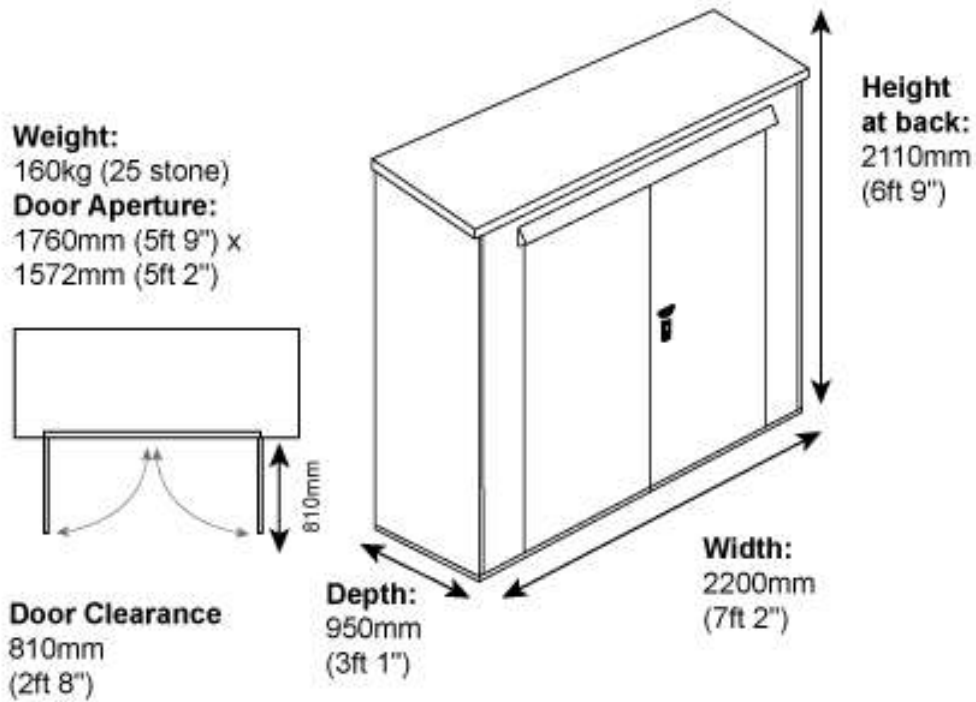
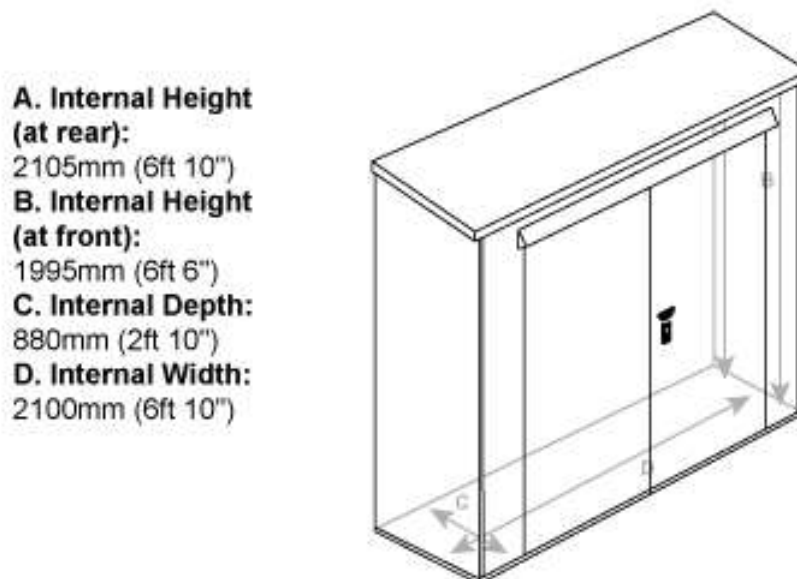


School Storage Pack 6

EXTERNAL MEASUREMENTS

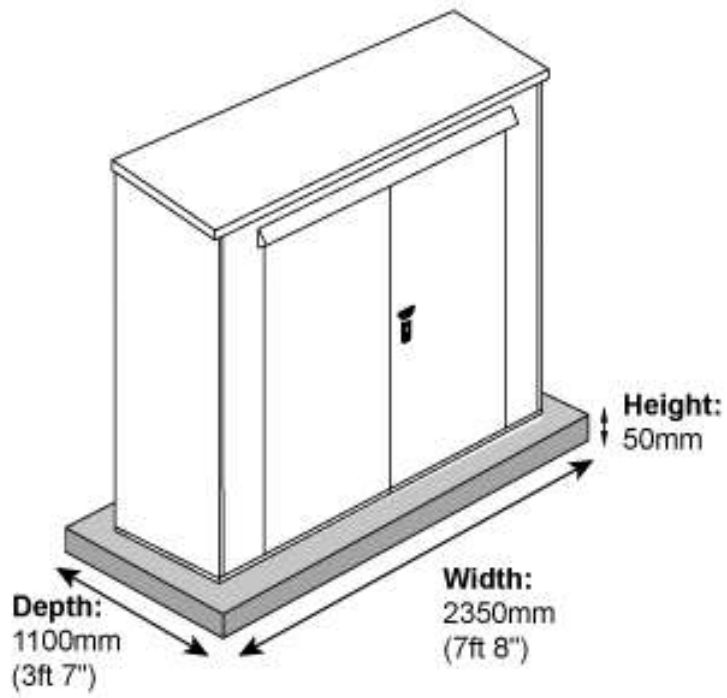


INTERNAL MEASUREMENTS



BASE SIZE

Base Size:
2350mm (7ft 8") x
1100mm (3ft 7")
Base Depth:
Min. 50mm
Recommended:
Concrete,
Tarmac,
Paving Flags



*ALL MEASUREMENTS ARE APPROXIMATE